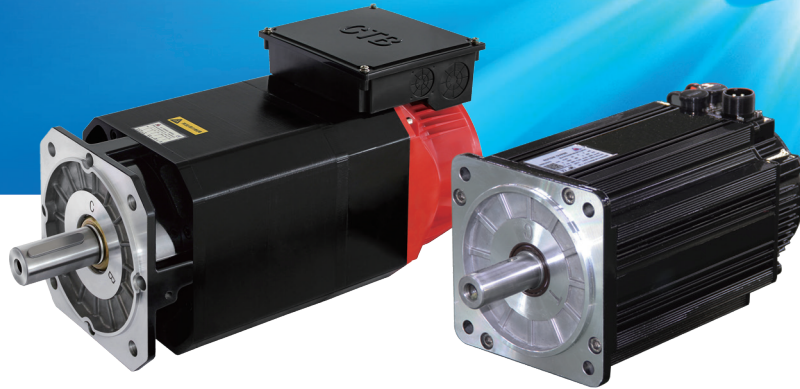




S18 PERMANENT MAGNET SYNCHRONOUS SERVO MOTOR

(1~245N.m)



超同步股份有限公司
CTB Co., Ltd.

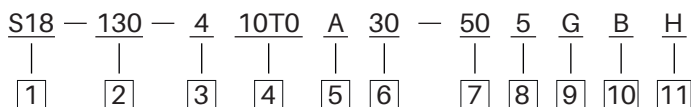
2020.08.08

S18 series servo spindle motor, which is developed, designed and produced by CTB, is a new type of AC permanent magnet synchronous servo motor with international advanced level which is making it go international. It has high performance, compact structure, good shape and high cost-performance, which is widely used in every field of industrial automatic control.

Various Products Items

- ◆ Torque range: 1~245N.m, overload ability 3~5 times.
- ◆ Rated speed: 1500~3000rpm, non-stand design available
- ◆ Voltage class: 200V, 400V
- ◆ Speed sensor: with built-in encoder(incremental encoder,rotary transformer, absolute encoder, etc)W

Type Explanation (take 10n.m servo motor for example)



Model	Name	Description	Catalog Number Explanation
1	Plant Code	S18: Plant Motor Code	S18 Series Pmsm
2	Frame Size Code	Flange Size: 40~265	130 × 130
3	Voltage Class	2: 200V Class 4: 400V Class	400V Class
4	Torque Code	See Standard Specification Table	10 N.m
5	Encoder Code	Code Encoder Type B: without encoder G: optical-electricity encoder(incremental) S: sin-cos encoder(2048P) R: rotary transformer(12B) A: absolute encoder(17B)	Built-in Absolute Encoder
6	Rated Speed Code	Code Rated Speed r/min d5 50 15 1500 01 100 20 2000 02 200 25 2500	Basic Speed: 3000r/min
7	Max speed code	03 300 30 3000 05 500 40 4000 07 750 50 5000 10 1000 60 6000	Max Speed: 6000r/min
8	Installation Method Code	3: B3/ Horizontal-Mounted 5: B5/ flanged mounting 35: B35/ horizontally-flanged mounting	Flange Mounting
9	Shaft Extension Structure Code	G: Plain Shaft J: Key Slot Shaft	Plain Shaft
10	Brake	B: Dead Electricity Electromagnet Brake	Have Brake
11	Rotary Inertia	H: Low Inertia Series	Low Inertia

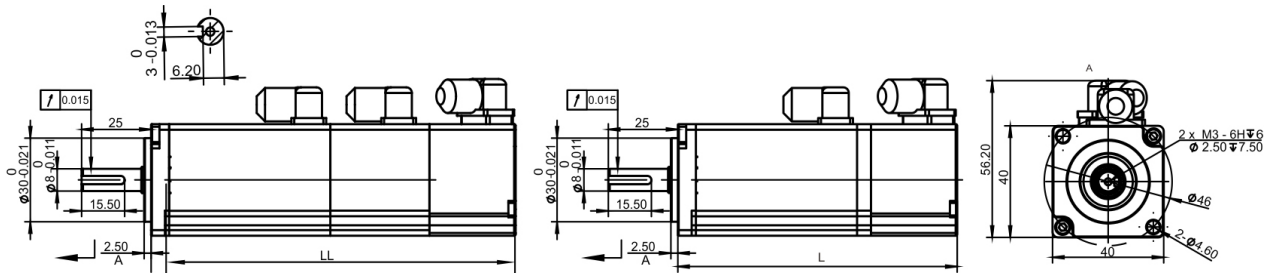
Applying Area

- CNC Machine Tool Hydraulic Equipment Forging And Pressing Equipment Plastic Equipment Shearing Equipment
 Hoisting Equipment Oil Extraction Equipment Amusement Equipment Textile Equipment Papermaking Equipment
 Wire Cable Equipment Wood-Working Machine Printing Machine Automatic Production line Steel Production line
 Wiredrawing Machine Elevator Auto-Door Electromobile





◆ Shape and installation size

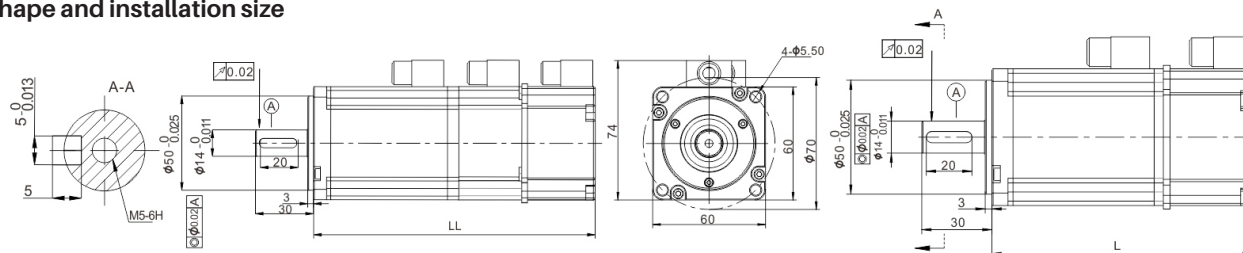


◆ S18-040 Middle Inertia 40×40 mm

Voltage Class: 220V Max. Speed: 5000rpm Poles: 10p Cooling Method: Natural Cooling

Motor Model	Rated Torque (N.m)	Peak Torque (N.m)	Rated Speed (r/min)	Rated Current (A)	Rated Power (W)	Rotary Inertia (With Brake) (×10-4kg.m ²)	Weight (kg)	L (LL) (mm)
S18-040-200T3X30-505XX	0.318	0.96	3000	0.9	100	0.035×10 ⁻⁴	0.65	104 (130)

◆ Shape and installation size

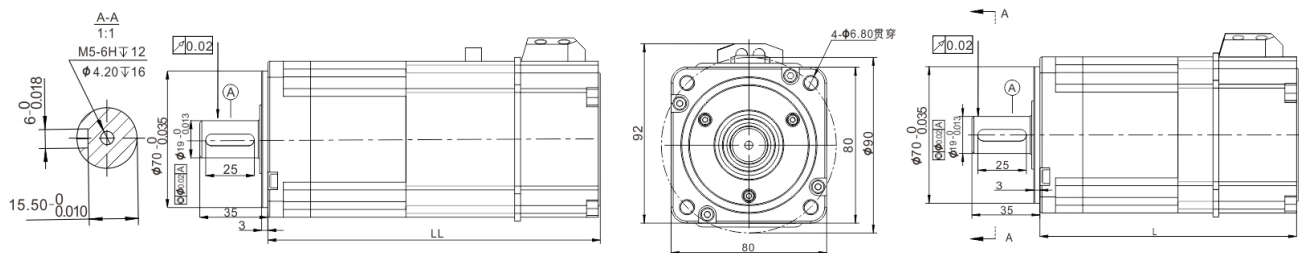


◆ S18-60 Middle Inertia 60×60 mm

Voltage Class: 220V Max. Speed: 5000rpm Poles: 10p Cooling Method: Natural Cooling

Motor Model	Rated Torque (N.m)	Peak Torque (N.m)	Rated Speed (r/min)	Rated Current (A)	Rated Power (W)	Medium inertia (×10-4kg.m ²)	High Inertia (×10-4kg.m ²)	Weight (kg)	L (LL) (mm)
S18-060-200T6X30-505XX	0.637	1.91	3000	1.35	200	0.8×10 ⁻⁴	1.25×10 ⁻⁴	1.18	94(129.5)
S18-060-201T3X30-505XX	1.27	3.81	3000	2.7	400	1.5×10 ⁻⁴	1.9×10 ⁻⁴	1.7	108(143.5)
S18-060-201T9X30-505XX	1.91	5.4	3000	3.5	600	2.2×10 ⁻⁴	2.6×10 ⁻⁴	2.1	125(160.5)

◆ Shape and installation size



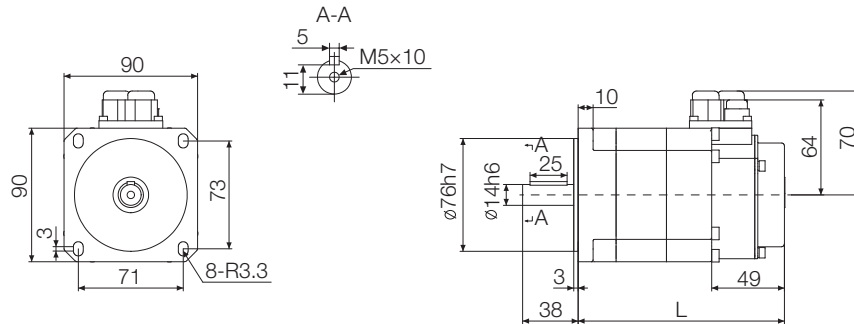
◆ S18-80 Middle Inertia 80×80 mm

Voltage Class: 220V Max. Speed: 5000rpm Poles: 10p Cooling Method: Natural Cooling

Motor Model	Rated Torque (N.m)	Peak Torque (N.m)	Rated Speed (r/min)	Rated Current (A)	Rated Power (W)	Medium inertia (×10-4kg.m ²)	High Inertia (×10-4kg.m ²)	Weight (kg)	L (LL) (mm)
S18-80-201T5X30-505XX	1.59	4.77	3000	3.3	500	0.8×10 ⁻⁴	1.25×10 ⁻⁴	2	121 (159)
S18-80-202T3X30-505XX	2.39	7.17	3000	4.7	750	1.5×10 ⁻⁴	1.9×10 ⁻⁴	2.85	134 (172)
S18-80-203T1X30-505XX	3.19	9.54	3000	6.0	1000	2.2×10 ⁻⁴	2.6×10 ⁻⁴	3.8	154 (192)



◆ Shape and installation size

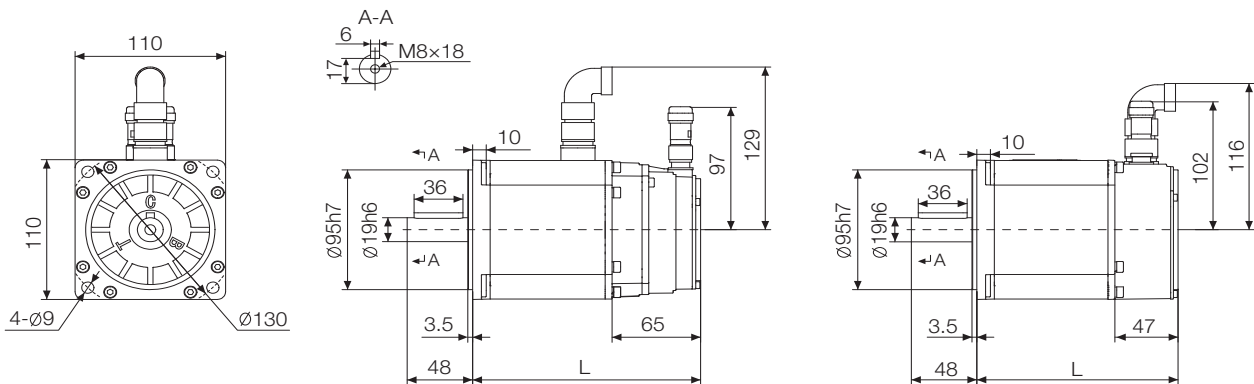


◆ S18-090 Middle Inertia 90×90 mm

Voltage Class: 200V Max. Speed: 3000rpm Poles: 8p Cooling Method: Natural Cooling

Motor Model	Rated Torque (N.m)	Rated Speed (r/min)	Rated Current (A)	Rated Power (kW)	Back EMF Constant K_e (V/krpm)	Rotary Inertia (With Brake) ($\times 10^{-4}$ kg.m ²)	Weight (With Brake) (kg)	L (mm)
S18-090-201T0X30-5XX	1	3000	1.3	0.3	48.7	1.9 (2.0)	3.6(3.9)	139
S18-090-202T0X30-5XX	2	3000	2.6	0.6	50.1	2.9 (3.0)	5.0(5.3)	158
S18-090-203T0X30-5XX	3	3000	3.9	0.9	51.2	3.9 (4.0)	6.3(6.6)	177

◆ Shape and installation size



◆ S18-110 Middle Inertia 110×110 mm

Voltage Class: 200V Max. Speed: 3000rpm Poles: 8p Cooling Method: Natural Cooling

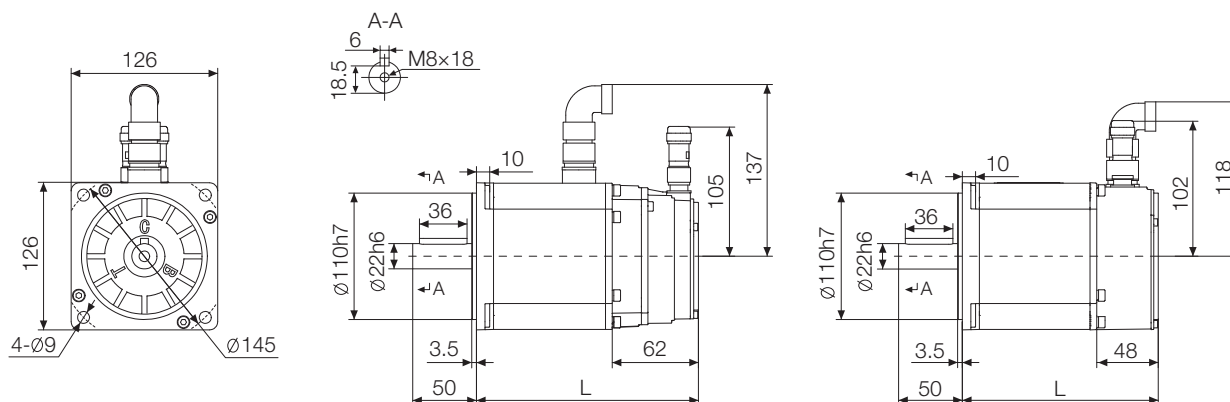
Motor Model	Rated Torque (N.m)	Rated Speed (r/min)	Rated Current (A)	Rated Power (kW)	Back EMF Constant K_e (V/krpm)	Rotary Inertia (With Brake) ($\times 10^{-4}$ kg.m ²)	Weight (With Brake) (kg)	L (With Brake) (mm)
S18-110-202T0X30-5XX	2	3000	3.3	0.6	40.2	4.7 (5.4)	3.8(5.2)	155 (170)
S18-110-203T0X30-5XX	3	3000	3.8	0.9	53.1	6.8 (7.5)	4.6(6.0)	169 (183)
S18-110-204T0X30-5XX	4	3000	4.7	1.3	56.8	8.9 (9.6)	5.3(6.7)	183 (196)
S18-110-205T0X30-5XX	5	3000	5.8	1.6	56.8	11.0 (11.7)	6.1(7.5)	197 (209)
S18-110-206T0X30-5XX	6	3000	7.4	1.9	53.7	13.1 (13.8)	6.8(8.2)	211 (222)
S18-110-207T0X30-5XX	7	3000	8.4	2.2	55.0	15.2 (15.9)	7.6(9.0)	225 (235)



◆ **S18-110 Middle Inertia 110×110 mm** Voltage Class: 400V Max. Speed: 3000rpm Poles: 8p Cooling Method: Natural Cooling

Motor Model	Rated Torque (N.m)	Rated Speed (r/min)	Rated Current (A)	Rated Power (kW)	Back EMF Constant K_e (V/krpm)	Rotary Inertia (With Brake) ($\times 10^{-4}$ kg.m ²)	Weight (With Brake) (kg)	L (With Brake) (mm)
S18-110-402T0X30-5XX	2	3000	1.7	0.6	80.3	4.7 (5.4)	3.8(5.2)	155 (170)
S18-110-403T0X30-5XX	3	3000	1.9	0.9	106.1	6.8 (7.5)	4.6(6.0)	169 (183)
S18-110-404T0X30-5XX	4	3000	2.4	1.3	113.5	8.9 (9.6)	5.3(6.7)	183 (196)
S18-110-405T0X30-5XX	5	3000	2.9	1.6	113.5	11.0 (11.7)	6.1(7.5)	197 (209)
S18-110-406T0X30-5XX	6	3000	3.7	1.9	107.4	13.1 (13.8)	6.8(8.2)	211 (222)
S18-110-407T0X30-5XX	7	3000	4.2	2.2	110.0	15.2 (15.9)	7.6(9.0)	225 (235)

◆ **Shape and installation size**



◆ **S18-126 Middle Inertia 126×126 mm** Voltage Class: 200V Max. Speed: 1500rpm Poles: 8p Cooling Method: Natural Cooling

Motor Model	Rated Torque (N.m)	Rated Speed (r/min)	Rated Current (A)	Rated Power (kW)	Back EMF Constant K_e (V/krpm)	Rotary Inertia (With Brake) ($\times 10^{-4}$ kg.m ²)	Weight (With Brake) (kg)	L (With Brake) (mm)
S18-126-204T0X15-5XX	4	1500	2.8	0.6	92.1	8.7(10.2)	5.5(7.6)	163 (184)
S18-126-206T0X15-5XX	6	1500	3.6	0.9	110.5	12.9(14.4)	6.8(8.9)	181 (202)
S18-126-208T0X15-5XX	8	1500	5.0	1.3	106.8	17.1(18.6)	8.2(10.3)	199 (220)
S18-126-210T0X15-5XX	10	1500	6.4	1.6	105.9	21.3(22.8)	9.5(11.6)	217 (238)
S18-126-212T0X15-5XX	12	1500	7.2	1.9	110.5	25.5(27.0)	10.9(13.0)	235 (256)
S18-126-214T0X15-5XX	14	1500	8.6	2.2	107.5	29.7(31.2)	12.2(14.3)	253 (274)

◆ **S18-126 Middle Inertia 126×126 mm** Voltage Class: 200V Max. Speed: 3000rpm Poles: 8p Cooling Method: Natural Cooling

Motor Model	Rated Torque (N.m)	Rated Speed (r/min)	Rated Current (A)	Rated Power (kW)	Back EMF Constant K_e (V/krpm)	Rotary Inertia (With Brake) ($\times 10^{-4}$ kg.m ²)	Weight (With Brake) (kg)	L (With Brake) (mm)
S18-126-204T0X30-5XX	4	3000	5.6	1.3	46.0	8.7(10.2)	5.5(7.6)	163 (184)
S18-126-206T0X30-5XX	6	3000	7.2	1.9	55.3	12.9(14.4)	6.8(8.9)	181 (202)
S18-126-208T0X30-5XX	8	3000	10.0	2.5	53.4	17.1(18.6)	8.2(10.3)	199 (220)
S18-126-210T0X30-5XX	10	3000	12.8	3.1	52.9	21.3(22.8)	9.5(11.6)	217 (238)
S18-126-212T0X30-5XX	12	3000	14.4	3.8	55.3	25.5(27.0)	10.9(13.0)	235 (256)
S18-126-214T0X30-5XX	14	3000	17.2	4.4	53.7	29.7(31.2)	12.2(14.3)	253 (274)



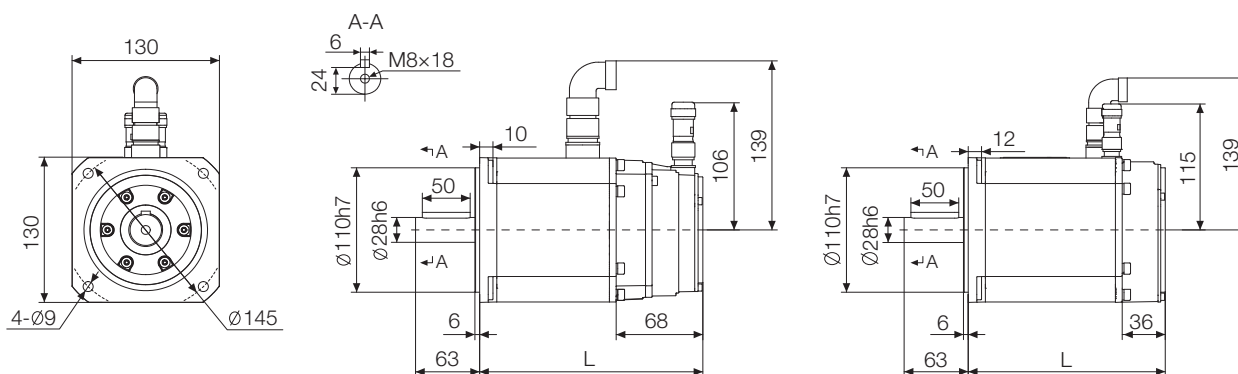
◆ **S18-126 Middle Interia 126×126 mm** Voltage Class: 400V Max. Speed: 1500rpm Poles: 8p Cooling Method: Natural Cooling

Motor Model	Rated Torque (N.m)	Rated Speed (r/min)	Rated Current (A)	Rated Power (kW)	Back EMF Constant K_e (V/krpm)	Rotary Inertia (With Brake) ($\times 10^{-4}$ kg.m ²)	Weight (With Brake) (kg)	L (With Brake) (mm)
S18-126-404T0X15-5XX	4	1500	1.4	0.6	184.2	8.7(10.2)	5.5(7.6)	163 (184)
S18-126-406T0X15-5XX	6	1500	1.8	0.9	221.1	12.9(14.4)	6.8(8.9)	181 (202)
S18-126-408T0X15-5XX	8	1500	2.5	1.3	213.7	17.1(18.6)	8.2(10.3)	199 (220)
S18-126-410T0X15-5XX	10	1500	3.2	1.6	211.8	21.3(22.8)	9.5(11.6)	217 (238)
S18-126-412T0X15-5XX	12	1500	3.6	1.9	221.0	25.5(27.0)	10.9(13.0)	235 (256)
S18-126-414T0X15-5XX	14	1500	4.3	2.2	214.9	29.7(31.2)	12.2(14.3)	253 (274)

◆ **S18-126 Middle Interia 126×126 mm** Voltage Class: 400V Max. Speed: 3000rpm Poles: 8p Cooling Method: Natural Cooling

Motor Model	Rated Torque (N.m)	Rated Speed (r/min)	Rated Current (A)	Rated Power (kW)	Back EMF Constant K_e (V/krpm)	Rotary Inertia (With Brake) ($\times 10^{-4}$ kg.m ²)	Weight (With Brake) (kg)	L (With Brake) (mm)
S18-126-404T0X30-5XX	4	3000	2.8	1.3	92.1	8.7(10.2)	5.5(7.6)	163 (184)
S18-126-406T0X30-5XX	6	3000	3.6	1.9	110.5	12.9(14.4)	6.8(8.9)	181 (202)
S18-126-408T0X30-5XX	8	3000	5.0	2.5	106.8	17.1(18.6)	8.2(10.3)	199 (220)
S18-126-410T0X30-5XX	10	3000	6.4	3.1	105.9	21.3(22.8)	9.5(11.6)	217 (238)
S18-126-412T0X30-5XX	12	3000	7.2	3.8	110.5	25.5(27.0)	10.9(13.0)	235 (256)
S18-126-414T0X30-5XX	14	3000	8.6	4.4	107.5	29.7(31.2)	12.2(14.3)	253 (274)

◆ **Shape and installation size**

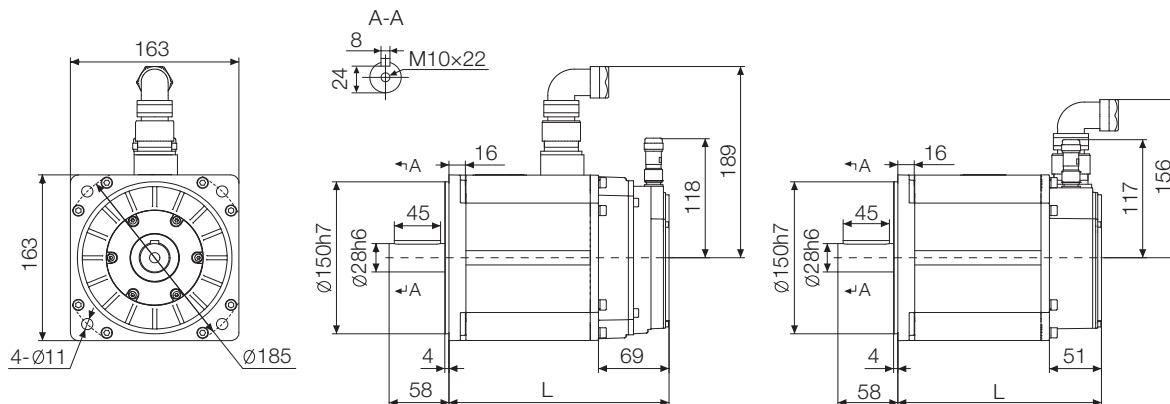


◆ **S18-130 Low Interia 130×130 mm** Voltage Class: 400V Max. Speed: 5000rpm Poles: 8p Cooling Method: Natural Cooling

Motor Model	Rated Torque (N.m)	Rated Speed (r/min)	Rated Current (A)	Rated Power (kW)	Back EMF Constant K_e (V/krpm)	Rotary Inertia (With Brake) ($\times 10^{-4}$ kg.m ²)	Weight (With Brake) (kg)	L (With Brake) (mm)
S18-130-405T0X30-5XXH	5	3000	4.7	1.6	66.8	3.7 (5.4)	6.8(8.8)	145(176)
S18-130-410T0X30-5XXH	10	3000	9.3	3.1	67.6	6.8 (8.5)	10.3(12.3)	185(216)
S18-130-413T0X30-5XXH	13	3000	12.8	4.1	63.6	9.9 (11.6)	13.7(15.7)	225(256)
S18-130-416T0X30-5XXH	16	3000	15.3	5.0	66.0	13.1 (14.7)	17.1(19.0)	265(296)



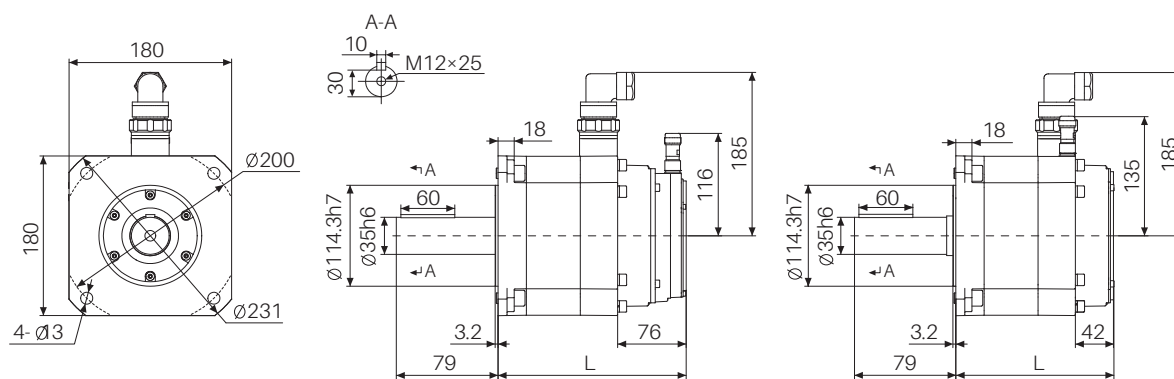
◆ Shape and installation size



◆ S18-163 Middle Interia 163×163 mm Voltage Class: 400V Max. Speed: 3000rpm Poles: 8p Cooling Method: Natural Cooling

Motor Model	Rated Torque (N.m)	Rated Speed (r/min)	Rated Current (A)	Rated Power (kW)	Back EMF Constant K_e (V/krpm)	Rotary Interia (With Brake) ($\times 10^{-4}$ kg.m ²)	Weight (With Brake) (kg)	L (With Brake) (mm)
S18-163-410T0X15-5XX	10	1500	5.6	1.6	113.3	36.1(39.2)	12.0(16.2)	198 (214)
S18-163-415T0X15-5XX	15	1500	8.5	2.4	112.0	52.7(55.8)	14.7(18.9)	221 (237)
S18-163-420T0X15-5XX	20	1500	11.2	3.1	113.3	69.2(72.4)	17.5(21.7)	244 (260)
S18-163-425T0X15-5XX	25	1500	14.2	3.9	111.0	85.7(89.0)	20.2(24.4)	267 (283)
S18-163-430T0X15-5XX	30	1500	17.4	4.7	108.9	102.2(105.6)	23.0(27.2)	290 (306)
S18-163-435T0X15-5XX	35	1500	20.8	5.5	105.9	118.7(122.2)	25.9(30.1)	313 (329)

◆ Shape and installation size

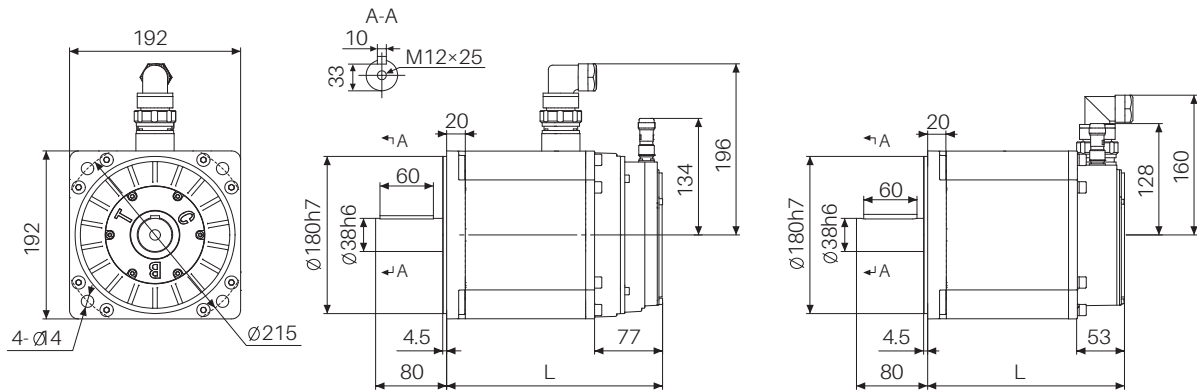


◆ S18-180 Low Interia 180×180 mm Voltage Class: 400V Max. Speed: 3000rpm Poles: 8p Cooling Method: Natural Cooling

Motor Model	Rated Torque (N.m)	Rated Speed (r/min)	Rated Current (A)	Rated Power (kW)	Back EMF Constant K_e (V/krpm)	Rotary Interia (With Brake) ($\times 10^{-4}$ kg.m ²)	Weight (With Brake) (kg)	L (With Brake) (mm)
S18-180-418T5X15-5XXH	18.5	1500	11.9	2.9	98.0	40.3 (44.1)	17.8(22.8)	183(219)
S18-180-428T5X15-5XXH	28.5	1500	16.3	4.4	109.3	58.3 (62.1)	23.1(28.1)	213(249)
S18-180-435T0X15-5XXH	35	1500	20.8	5.5	105.3	76.3 (80.1)	28.3(33.3)	243(279)
S18-180-448T0X15-5XXH	48	1500	25.7	7.5	116.7	112.3 (116.1)	38.6(43.6)	303(339)



◆ Shape and installation size



◆ S18-192 Middle Interia 192×192 mm Voltage Class: 400V Max. Speed: 1500rpm Poles: 8p Cooling Method: Natural Cooling

Motor Model	Rated Torque (N.m)	Rated Speed (r/min)	Rated Current (A)	Rated Power (kW)	Back EMF Constant K_e (V/krpm)	Rotary Interia (With Brake) ($\times 10^{-4}$ kg.m ²)	Weight (With Brake) (kg)	L (With Brake) (mm)
S18-192-416T0X15-5XX	16	1500	4.9	2.5	207.4	77.9(81.3)	19.4(26.5)	222 (243)
S18-192-424T0X15-5XX	24	1500	7.5	3.8	201.8	113.2(116.6)	24.0(31.1)	248 (269)
S18-192-432T0X15-5XX	32	1500	9.5	5.0	213.0	148.5(151.9)	28.7(35.8)	274 (295)
S18-192-440T0X15-5XX	40	1500	11.2	6.3	224.3	183.8(187.2)	33.3(40.4)	300 (321)
S18-192-448T0X15-5XX	48	1500	13.8	7.5	218.7	219.1(222.5)	37.8(44.9)	326 (347)
S18-192-456T0X15-5XX	56	1500	17.1	8.8	206.0	254.4(257.8)	42.4(49.5)	352 (373)

◆ S18-192 Low Interia 192×192 mm Voltage Class: 400V Max. Speed: 3000rpm Poles: 8p Cooling Method: Natural Cooling

Motor Model	Rated Torque (N.m)	Rated Speed (r/min)	Rated Current (A)	Rated Power (kW)	Back EMF Constant K_e (V/krpm)	Rotary Interia (With Brake) ($\times 10^{-4}$ kg.m ²)	Weight (With Brake) (kg)	L (With Brake) (mm)
S18-192-416T0X15-5XXH	16	1500	9.2	2.5	109.3	43.5(47.7)	19.4(26.5)	222 (245)
S18-192-424T0X15-5XXH	24	1500	13.4	3.8	111.6	62.0(66.2)	24.0(31.1)	248 (271)
S18-192-432T0X15-5XXH	32	1500	17.2	5.0	116.3	80.5(84.7)	28.7(35.8)	274 (297)
S18-192-440T0X15-5XXH	40	1500	22.4	6.3	113.4	99.0(103.2)	33.3(40.4)	300 (323)
S18-192-448T0X15-5XXH	48	1500	26.8	7.5	111.6	117.5(121.7)	37.8(44.9)	326 (349)
S18-192-456T0X15-5XXH	56	1500	33.0	8.8	105.8	136.0(140.2)	42.4(49.5)	352 (375)



◆ S18-165 Middle Interia 165×165 mm

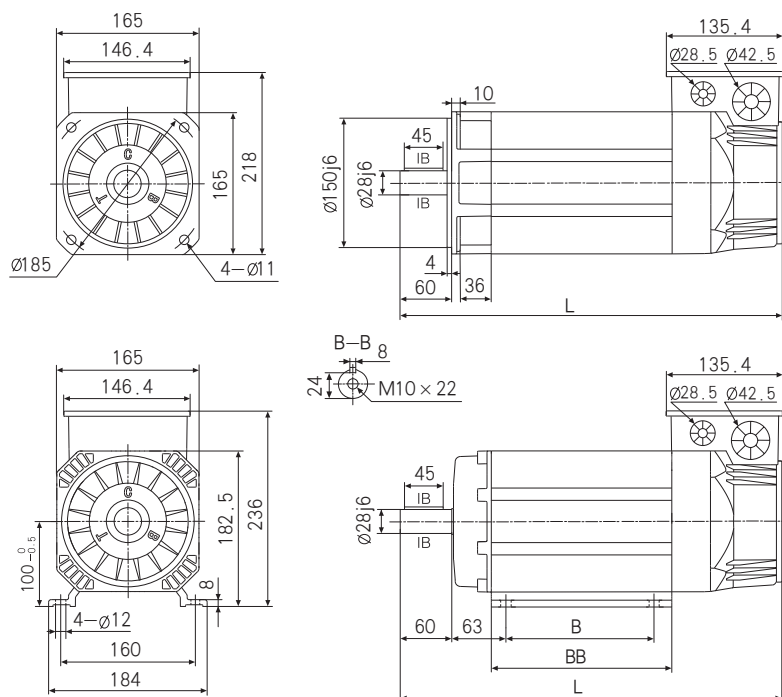
Voltage Class: 400V Max. Speed: 3000rpm Poles: 8p
 Cooling Method: Fan Cooling Fan Power: 25W Fan Voltage: 380V

Motor Model	Rated Power (N.m)	Rated Speed (r/min)	Rated Current (A)	Rated Power (kW)	Back EMF Constant K_e (V/krpm)	Rotary Interia ($\times 10^{-4}$ kg.m ²)	Weight (kg)	B (mm)	BB (mm)	L (mm)
S18-165-416T0X15-XXX	15	1500	8.4	2.4	113.0	36.1	14.0	45	80	315
S18-165-422T0X15-XXX	22	1500	12.4	3.5	112.0	52.7	16.0	70	103	338
S18-165-435T0X15-XXX	35	1500	20.0	5.5	111.0	85.7	22.0	112	149	384
S18-165-448T0X15-XXX	48	1500	28.5	7.5	105.9	118.7	29.0	159	195	430

◆ Performance Index

Item	Index
Encoder (Optional)	CE9-2500(Incremental)
	RZ12-1024(Rotary)
	SC-2048(SIN -COS)
Shaft Type	G: OPTICAL SHAFT
	J: WITH KEY SLOT
Installing Method	B3 B5 B35
Cooling Method	Forced air cooling
Protection Class	IP55
Insulation Class	F CLASS
Rated Temperature Rise	90 K
Vibration Class	S
Noise	≤ 70 dB(A)
Environment Temperature	-15~45°C
ENVIRONMENT HUMIDITY	$\leq 95\%$ RH

◆ Shape And Installation Size





◆ S18-205 Middle Interia 205×205 mm

Voltage Class: 400V Max. Speed: 1500rpm Poles: 8p
 Cooling Method: Fan Cooling Fan Power: 25W Fan Voltage: 380V

Motor Model	Rated Power (N.m)	Rated Speed (r/min)	Rated Current (A)	Rated Power (kW)	Back EMF Constant K_e (V/krpm)	Rotary Interia ($\times 10^{-4}$ kg.m ²)	Weight (kg)	B (mm)	BB (mm)	L (mm)
S18-205-442T0X15-XXX	42	1500	12.5	6.6	213.0	148.0	40.0	73	145	450
S18-205-460T0X15-XXX	60	1500	17.3	9.4	218.7	219.0	48.0	128	197	502
S18-205-472T0X15-XXX	72	1500	21.9	11.3	206.0	254.0	54.0	178	223	528
S18-205-496T0X15-XXX	96	1500	28.0	15.1	214.4	334.0	64.0	208	275	580

◆ S18-205 Low Interia 205×205 mm

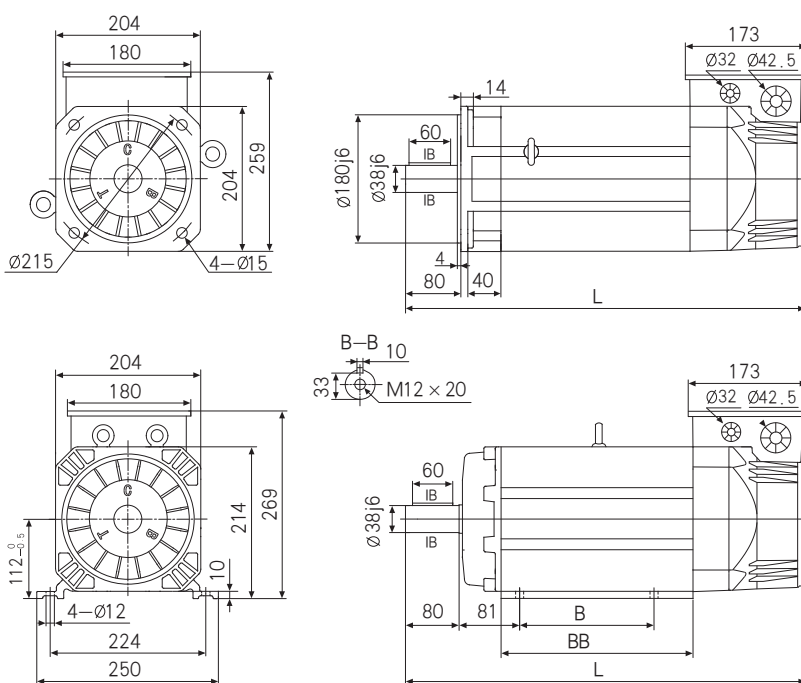
Voltage Class: 400V Max. Speed: 3000rpm Poles: 8p
 Cooling Method: Fan Cooling Fan Power: 25W Fan Voltage: 380V

Motor Model	Rated Power (N.m)	Rated Speed (r/min)	Rated Current (A)	Rated Power (kW)	Back EMF Constant K_e (V/krpm)	Rotary Interia ($\times 10^{-4}$ kg.m ²)	Weight (kg)	B (mm)	BB (mm)	L (mm)
S18-205-442T0X15-XXH	42	1500	22.5	6.6	116.3	80.5	38.0	73	145	450
S18-205-460T0X15-XXH	60	1500	33.5	9.4	111.6	117.5	46.0	128	197	502
S18-205-472T0X15-XXH	72	1500	42.4	11.3	105.8	136.0	50.0	178	223	528
S18-205-496T0X15-XXH	96	1500	54.5	15.1	109.9	173.0	58.0	208	275	580

◆ Performance Index

Item	Index
Encoder (Optional)	CE9-2500(Incremental)
	RZ12-1024(Rotary)
	SC-2048(SIN -COS)
Shaft Type	G: OPTICAL SHAFT
	J: WITH KEY SLOT
Installing Method	B3 B5 B35
Cooling Method	Forced air cooling
Protection Class	IP55
Insulation Class	F CLASS
Rated Temperature Rise	90 K
Vibration Class	S
Noise	≤70dB(A)
Environment Temperature	-15~45°C
ENVIRONMENT HUMIDITY	≤95%RH

◆ Shape And Installation Size





◆ S18-265 Low Inertia 265×265 mm

Voltage Class: 400V Max. Speed: 1500rpm Poles: 8p
 Cooling Method: Fan Cooling Fan Power: 25W Fan Voltage: 380V

Motor Model	Rated Power (N.m)	Rated Speed (r/min)	Rated Current (A)	Rated Power (kW)	Back EMF Constant K_e (V/krpm)	Rotary Inertia ($\times 10^{-4}$ kg.m ²)	Weight (kg)	B (mm)	BB (mm)	L (mm)
S18-265-4125TX15-XXH	125	1500	36.8	19.6	207.4	220.0	86.0	266	396	660
S18-265-4165TX15-XXH	165	1500	48.6	25.9	211.5	280.0	102.0	316	446	710
S18-265-4205TX15-XXH	205	1500	64.0	32.2	203.3	340.0	118.0	366	496	760
S18-265-4245TX15-XXH	245	1500	75.0	38.5	195.2	410.0	132.0	416	546	810

◆ S18-265 Low Inertia 265×265 mm

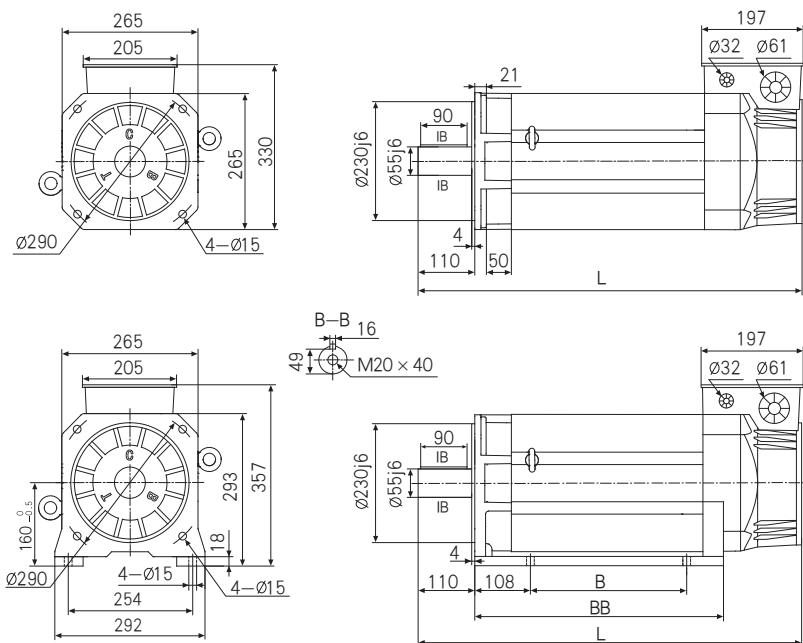
Voltage Class: 400V Max. Speed: 3000rpm Poles: 8p
 Cooling Method: Fan Cooling Fan Power: 25W Fan Voltage: 380V

Motor Model	Rated Power (N.m)	Rated Speed (r/min)	Rated Current (A)	Rated Power (kW)	Back EMF Constant K_e (V/krpm)	Rotary Inertia ($\times 10^{-4}$ kg.m ²)	Weight (kg)	B (mm)	BB (mm)	L (mm)
S18-265-4125TX15-XXH	125	1500	76.8	19.6	103.7	220.0	86.0	266	396	660
S18-265-4165TX15-XXH	165	1500	99.1	25.9	105.7	280.0	102.0	316	446	710
S18-265-4205TX15-XXH	205	1500	128.0	32.2	101.7	340.0	118.0	366	496	760
S18-265-4245TX15-XXH	245	1500	159.5	38.5	97.6	410.0	132.0	416	546	810

◆ Performance Index

Item	Index
Encoder (Optional)	CE9-2500(Incremental)
	RZ12-1024(Rotary)
	SC-2048(SIN -COS)
Shaft Type	G: OPTICAL SHAFT
	J: WITH KEY SLOT
Installing Method	B3 B5 B35
Cooling Method	Forced air cooling
Protection Class	IP55
Insulation Class	F CLASS
Rated Temperature Rise	90 K
Vibration Class	S
Noise	≤ 70 dB(A)
Environment Temperature	-15~45°C
ENVIRONMENT HUMIDITY	$\leq 95\%$ RH

◆ Shape And Installation Size



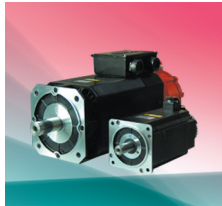
**GO BEYOND ONESELF
KEEP PACE WITH THE WORLD**



OMIN SYSTEM

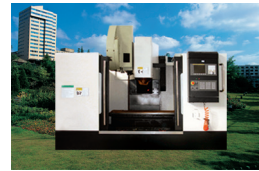


CTB SERVO



CTB MOTOR

PROVIDE THE PERFECT MECHANICAL CONTROL COMBINATION



CTB Co.,Ltd.

ADD: #9 Yunxi 6 Ave Development Zone Miyun Dist Beijing China

Tel: +86 10-69076533

Fax: +86 10-69076577

Postcode: 101500

Email: sales@ctbservo.com

24 Hours Free Hotline: 400-888-9055

http: //www.ctbservo.com

